

Autonics High Accuracy PID Temperature Controller TK4 SERIES

INSTRUCTION MANUAL



Thank you for choosing our Autonics product.
Please read the following safety considerations before use.

Safety Considerations

※Please observe all safety considerations for safe and proper product operation to avoid hazards.
※⚠ symbol represents caution due to special circumstances in which hazards may occur.

- Warning** Failure to follow these instructions may result in serious injury or death.
- Caution** Failure to follow these instructions may result in personal injury or product damage.

Warning

- Fail-safe device must be installed when using the unit with machinery that may cause serious injury or substantial economic loss.** (e.g. nuclear power control, medical equipment, ships, vehicles, railways, aircraft, combustion apparatus, safety equipment, crime/disaster prevention devices, etc.) Failure to follow this instruction may result in fire, personal injury, or economic loss.
- Install on a device panel to use.** Failure to follow this instruction may result in electric shock.
- Do not connect, repair, or inspect the unit while connected to a power source.** Failure to follow this instruction may result in electric shock or fire.
- Check "Connections" before wiring.** Failure to follow this instruction may result in fire.
- Do not disassemble or modify the unit.** Failure to follow this instruction may result in electric shock or fire.

Caution

- When connecting the power input and relay output, use AWG 20 (0.50mm²) cable or over and tighten the terminal screw with a tightening torque of 0.74~0.90Nm.** When connecting the sensor input and communication cable without dedicated cable, use AWG 28~26 cable or over and tighten the terminal screw with a tightening torque of 0.74~0.90Nm. Failure to follow this instruction may result in fire or malfunction due to contact failure.
- Use the unit within the rated specifications.** Failure to follow this instruction may result in fire or product damage.
- Use dry cloth to clean the unit, and do not use water or organic solvent.** Failure to follow this instruction may result in electric shock or fire.
- Do not use the unit in the place where flammable/explosive/corrosive gas, humidity, direct sunlight, radiant heat, vibration, impact, or salinity may be present.** Failure to follow this instruction may result in fire or explosion.
- Keep metal chip, dust, and wire residue from flowing into the unit.** Failure to follow this instruction may result in fire or product damage.

Ordering Information

| | | | | | | |
|-----------------------------------|-------------------|---|---|--|---|---|
| TK | 4 | N | -1 | 4 | R | N |
| OUT2 control output ¹⁾ | Standard | N | None | ※Select in case of standard control (heating or cooling) | | |
| OUT1 control output ²⁾ | Heating & Cooling | R | Relay output | | | |
| Power supply | S ³⁾ | C | Current output or SSR drive output selectable | | | |
| | 2 ³⁾ | 4 | 100-240VAC 50/60Hz | | | |
| | 1 | 2 | Standard | Alarm output 1+CT input ⁴⁾ | | |
| | N | D | Standard | Alarm output 1+Alarm output 2 | | |
| | R | T | Standard | Alarm output 1+Digital input (DI-1, DI-2) | | |
| | S | R | Standard | Alarm output 1+Transmission output | | |
| | M | A | Standard | Transmission output | | |
| | W | B | Standard | Alarm output 1+RS485 communication output | | |
| | L | D | Standard | Alarm output 1+RS485 communication output | | |
| | SP | 1 | Standard | Alarm output 1 | | |
| | S | 2 | Standard | Alarm output 1+Alarm output 2 | | |
| | M | R | Standard | Alarm output 1+Transmission output | | |
| | W | T | Standard | Alarm output 1+RS485 communication output | | |
| | L | D | Standard | Alarm output 1+Alarm output 2+Transmission output | | |
| | H | B | Standard | Alarm output 1+Alarm output 2+RS485 communication output | | |
| | L | D | Standard | Alarm output 1+Alarm output 2+Digital input (DI-1, DI-2) ⁵⁾ | | |
| Size | N | DIN W48×H24mm | | | | |
| | SP | DIN W48×H48mm (11pin plug type) ⁶⁾ | | | | |
| | S | DIN W48×H48mm (terminal block type) | | | | |
| | M | DIN W72×H72mm | | | | |
| | W | DIN W96×H48mm | | | | |
| | H | DIN W48×H96mm | | | | |
| | L | DIN W96×H96mm | | | | |
| Digit | 4 | 9999 (4-digit) | | | | |
| Item | TK | Temperature / Process Controller | | | | |

- In case of TK4N/SP Series, option control selection and digital input will be limited due to number of terminals.
- "S" represents SSR drive output support models which SSR function (standard ON/OFF, cycle, phase) control are available. "C" represents selectable current and SSR drive output support models.
- Select "R" or "C" type in case of using heating/cooling control and "N" type in case of using standard control.
- Does not support in AC/DC voltage type model.
- Does not support in TK4N.
- The CT input model of TK4N is selectable only for standard model which has alarm output 1.
- The heating/cooling model of TK4N-1□□□ has only alarm output 2.
- Only for TK4S-D□□□, OUT2 output terminal is used as DI-2 input terminal.
- 11Pin socket (PG-11, PS-11(N)) for TK4SP: sold separately.

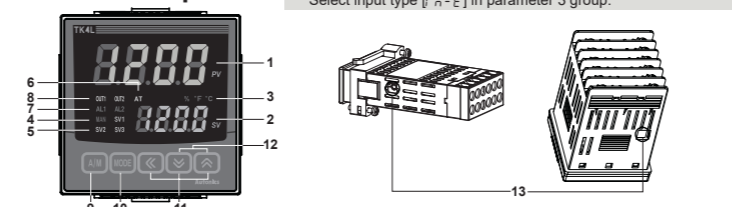
※Shaded descriptions are upgraded or added functions from the before TK Series.
※The above specifications are subject to change and some models may be discontinued without notice.
※Be sure to follow cautions written in the instruction manual, user manual and the technical descriptions (catalog, homepage).

Specifications

| Series | TK4N | TK4SP | TK4S | TK4M | TK4W | TK4H | TK4L |
|-------------------------|---|---|--|------------|------------|------------|-------------|
| Power supply | AC voltage | 100-240VAC~50/60Hz | — | — | — | — | — |
| Allowable voltage range | AC/DC voltage | — | 24VAC~50/60Hz, 24-48VDC= | — | — | — | — |
| Power consumption | AC voltage | Max. 6VA | Max. 8VA | Max. 8VA | Max. 8VA | Max. 8VA | Max. 8VA |
| Display method | AC/DC voltage | — | Max. 8VA (24VAC 50/60Hz), max. 5W (24-48VDC) | — | — | — | — |
| Character size | 7-segment (PV: red, SV: green, other display part: green, yellow, red) LED method | 4.5×7.2mm | 7.0×14.0mm | 9.5×20.0mm | 8.5×17.0mm | 7.0×14.6mm | 11.0×22.0mm |
| Input type | PV (W+H) | — | — | — | — | — | — |
| Display accuracy | SV (W+H) | — | — | — | — | — | — |
| Control output | RTD | JPT 100Ω, DPT 100Ω, DPT 50Ω, Cu 100Ω, Cu 50Ω, NiKel 120Ω (6 types) | — | — | — | — | — |
| Alarm output | Thermocouple | K, J, E, T, L, N, U, R, S, B, C, G, PLII (13 types) | — | — | — | — | — |
| Option output | Analog | Voltage: 0-100mVDC=, 0-5VDC=, 1-5VDC=, 0-10VDC= (4 types) Current: 0-20mA, 4-20mA (2 types) | — | — | — | — | — |
| Control method | RTD | AI room temperature (23°C ±5°C); (PV ±0.3% or ±1°C, select the higher one) ±1-digit ¹⁾ Out of room temperature ranges: (PV ±0.5% or ±2°C, select the higher one) ±1-digit In case of TK4SP Series, ±1°C will be added. | — | — | — | — | — |
| Relay | Thermocouple | AI room temperature (23°C ±5°C); (PV ±0.3% F.S. ±1-digit) Out of room temperature ranges: ±0.5% F.S. ±1-digit | — | — | — | — | — |
| SSR | Analog | CT input ±5% F.S. ±1-digit | — | — | — | — | — |
| Current | Relay | OUT1, OUT2: 250VAC~3A, 30VDC=3A, 1a | — | — | — | — | — |
| Communication | SSR | Max. 11VDC±2V 20mA | — | — | — | — | — |
| CT | Current | DC4-20mA or DC0-20mA selectable (resistance load: max. 500Ω) | — | — | — | — | — |
| Relay | Relay | AL1, AL2: 250VAC~3A 1a ※TK4N AL2: 250VAC~0.5A, 1a (max. 125VA), TK4SP has only AL1 | — | — | — | — | — |
| Transmission | Transmission | DC4-20mA (resistance load: max. 500Ω, output accuracy: ±0.3% F.S.) | — </tr | | | | |

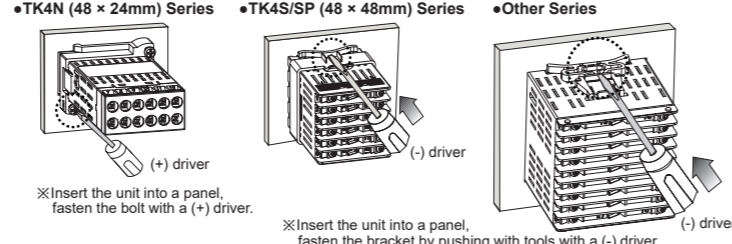
- At room temperature range (23°C±5°C):
 - Thermocouple K, J, T, N, E type, below -100°C / Thermocouple L, U, PLII, Cu50Ω, DPT 50Ω: (PV ±0.3% or ±2°C, select the higher one) ±1-digit
 - Thermocouple C, G, R, S type, below 200°C: (PV ±0.3% or ±3°C, select the higher one) ±1-digit
 - Thermocouple B type, below 400°C: there is no accuracy standards.
 - Out of room temperature range:
 - RTD Cu50Ω, DPT50Ω: (PV ±0.5% or ±3°C, select the higher one) ±1-digit
 - Thermocouple R, S, B, C, G type: (PV ±0.5% or ±5°C, select the higher one) ±1-digit
 - Others, below -100°C: within ±5°C
- In case of TK4SP Series, ±1°C will be added to the degree standard.
※The weight includes packaging. The weight in parenthesis is for unit only.
※Environment resistance is rated at no freezing or condensation.

Unit Description



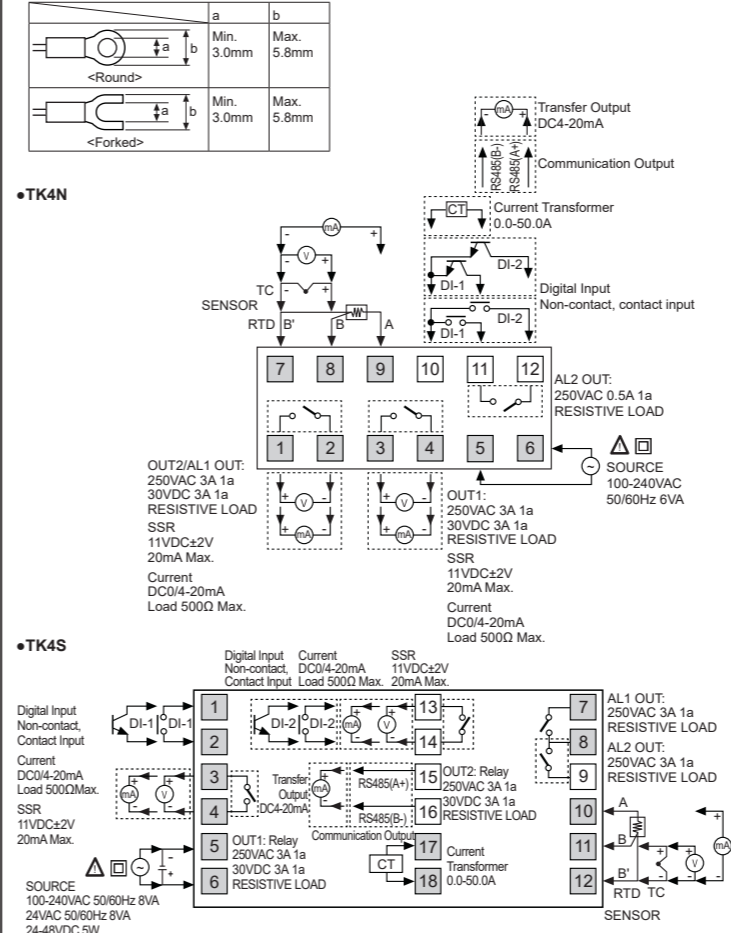
- Measured value (PV) display part:** RUN mode: It displays currently measured value (PV). Setting mode: It displays the parameter.
- Set value (SV) display part:** RUN mode: It displays the set value (SV). Setting mode: It displays the set value of the parameter.
- Unit (%C/F%) indicator:** It displays the unit set at display unit [unit] in parameter 3 group. (In case of TK4N, % is not supported).
- Manual control indicator:** It turns ON during manual controlling.
- Multi SV indicator:** One of SV1 to 3 lamps will be ON in case of selecting multi SV function.
- Auto tuning indicator:** It flashes by 1 sec. when executing auto tuning.
- Alarm output (AL1, AL2) indicator:** It turns ON when the alarm output is ON.
- Control output (OUT1, OUT2) indicator:** It turns ON when the control output is ON.
 - ※During cycle/phase controlling in SSRP function model (TK4□□4S□□), when MV is over 5.0%, it turns ON.
 - ※To use current output, when MV is 0.0% in manual control, it turns OFF. Otherwise, it always turns ON.
 - When MV is over 3.0% in auto control, it turns ON and when MV is below 2.0%, it turns OFF.
- Key:** It is used when switching auto control to manual control.
- TK4N/S/SP** do not have the key. The key operates switching simultaneously.
- key:** It is used when entering parameter groups, returning to RUN mode, moving parameter, saving the set value.
- key:** It is used when entering the set value changing mode and moving or changing up/down digit.
- Digital input key:** When pressing key + keys for 3 sec. at the same time, it operates the function (RUN/STOP, alarm clear, auto tuning) set at digital input key [di - v] in parameter 5 group.
- PC loader port:** It is the PC loader port for serial communication to set parameter with DAQMaster installed in PC. Use this for connecting SCM-US (USB/Serial converter, sold separately).

Installation

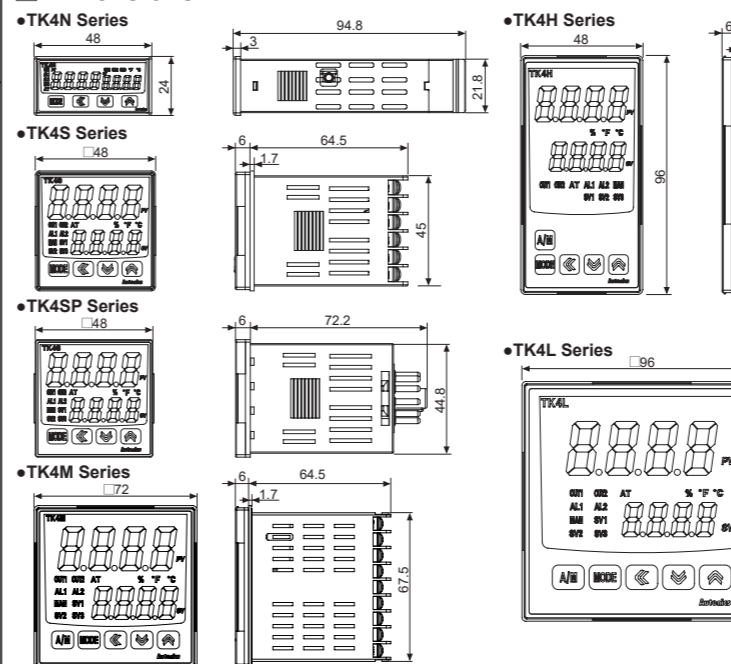


Connections

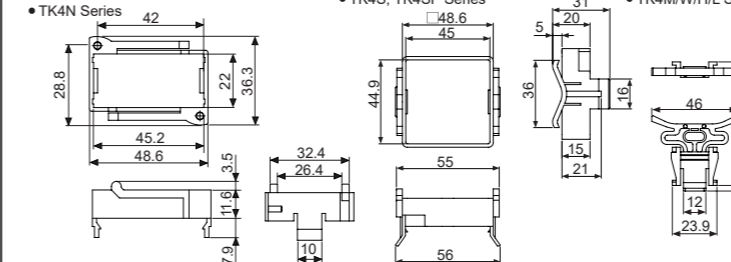
※Standard model has shaded terminals only.
※When the operation mode of heating/cooling OUT2 relay output model is heating or cooling control, the OUT2 is usable as alarm output 3 (except TK4N Series).
※When the operation mode of heating/cooling OUT2 current output model is heating or cooling control, the OUT2 is usable as transmission output 2.
※Use terminals of size specified below.



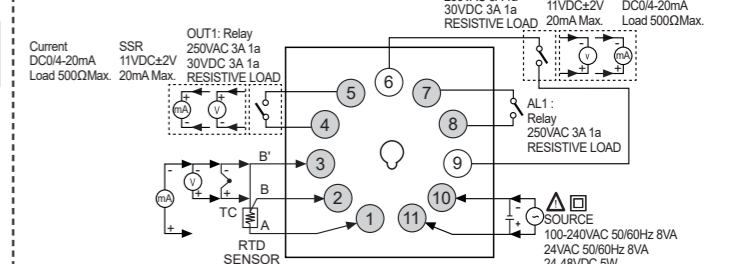
Dimensions



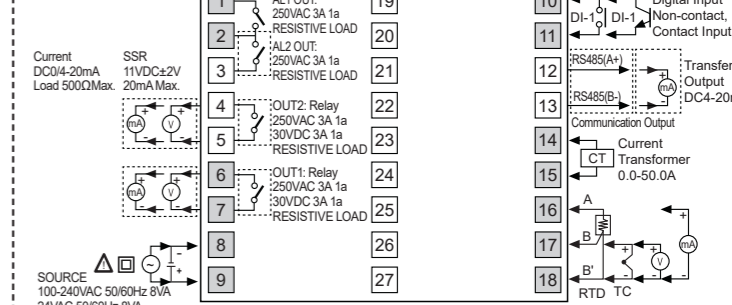
Bracket



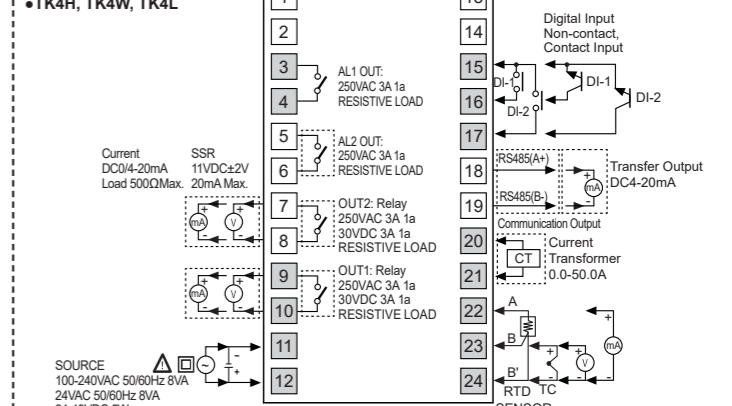
TK4SP



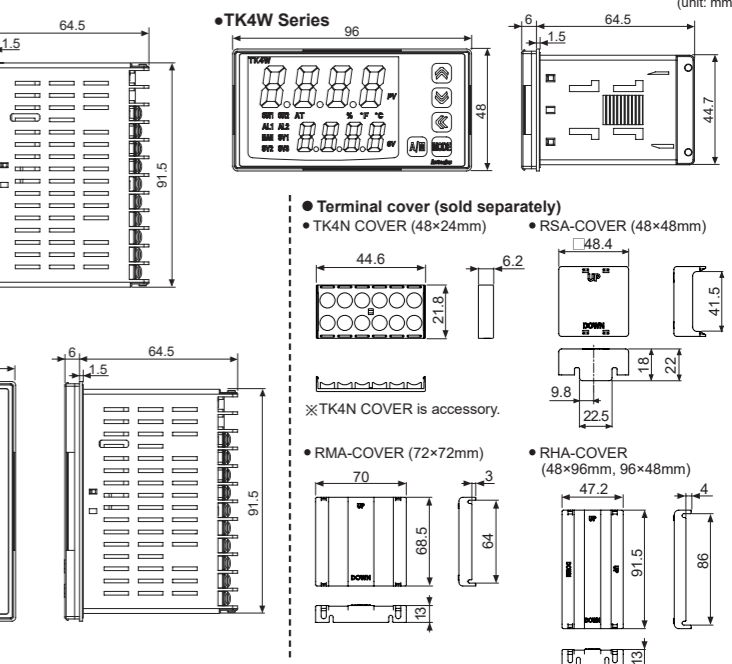
TK4M



TK4H, TK4W, TK4L



Terminal cover (sold separately)



Panel cut-out

